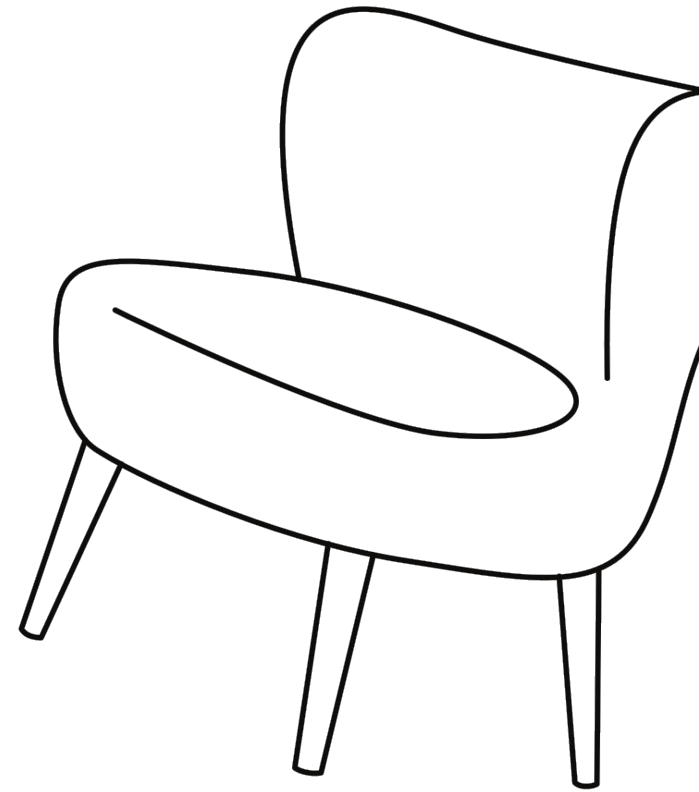
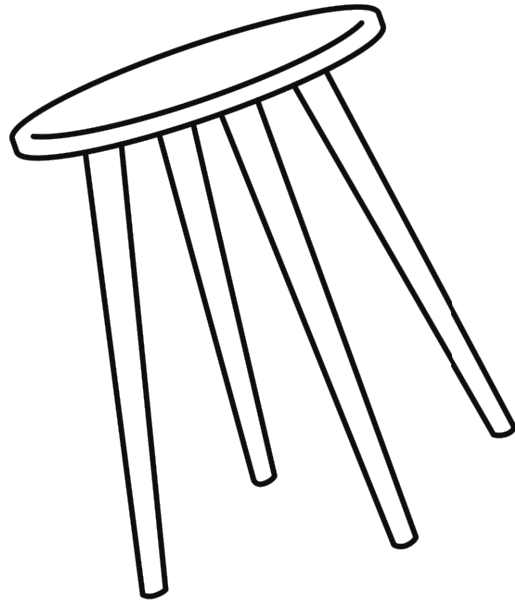


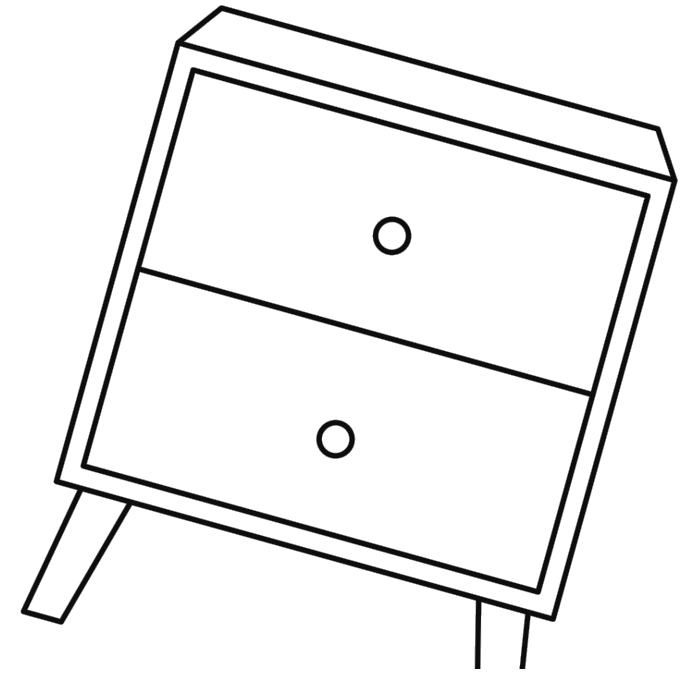
Hello,  
I've arrived!



Now that I'm here you are only one  
flat-pack away from transforming  
your home.



**Mocka.**



# Thank you for supporting us.

We believe design belongs to everyone. From materials and processes to safety testing, production and delivery, we are passionate and committed to bringing you the best possible product so you can create beautifully functional spaces to feel comfortably you.

Here are a few assembly tips before you get started:



## Make Time

The first step to all seamless assembly is taking a moment to carefully read through the instructions—you are already on your way to creating a beautifully functional space!



## Set The Mood

Put on your favourite playlist, order that pizza and pour yourself a drink to get in the mood!



## Tool Check

Layout the instructions, screws and panels to check you have everything you need. A blanket or soft floor rug will help protect your new favourite item from scratches and a drill will speed up the assembly too!



## Room Reveal









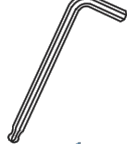


You did it! Take a step back and enjoy the moment. Don't forget to recycle any packaging and share a pic of your room reveal - we love seeing how you transform your home! Tag us @mockaaustralia/@mockaanz

Happy flat-packing!

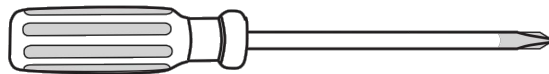
*The Mocka Team*

# Leon Barstool

Thank you for purchasing Leon Barstool. Please follow the manufacturer's assembly instructions in detail.

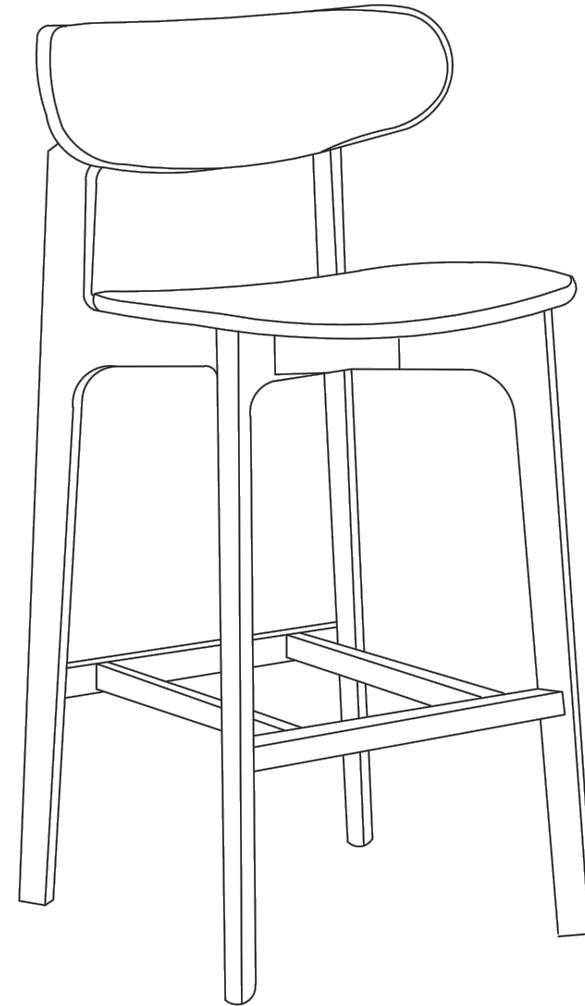
<b>A</b>  x 4 50mm screw	<b>B</b>  x 2 40mm screw	<b>C</b>  x 10 30mm screw	<b>D</b>  x 16 spring washer	<b>E</b>  x 4 flat washer	<b>F</b>  x 4 screw pin
<b>G</b>  x 13 32mm screw	<b>H</b>  x 2 dowel	<b>I</b>  x 1 allen key	<b>J</b>  x 4 wood button	<b>K</b>  felt pads x 4	

HARDWARE SUPPLIED



Phillips screwdriver required.

For quicker assembly, we recommend the use of a power drill on a low-speed setting.

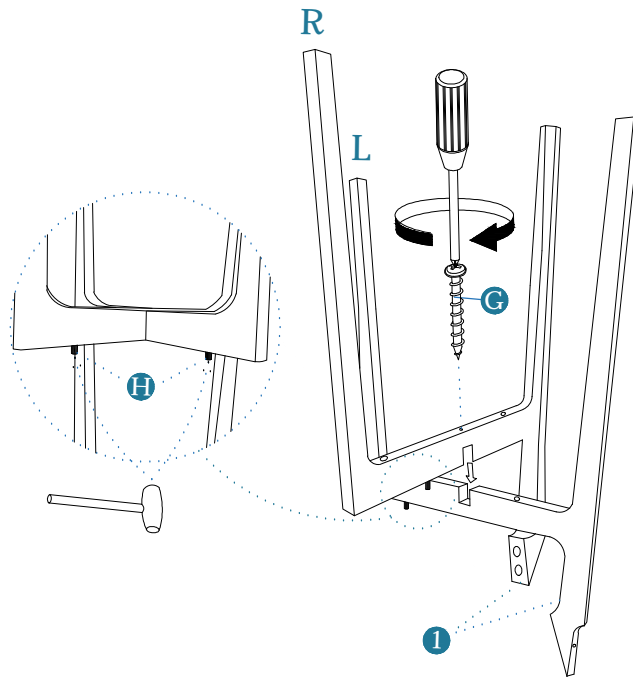


Read instructions carefully. Remove all wrapping material, staples and straps from the carton. See hardware and furniture part list for guidance. Be sure you have all parts before you start assembling. Place all wooden furniture part a clean and flat soft surface, such as carpet or rug to prevent from being scratched.

**CAUTION :**  
KEEP ALL HARDWARE PART OUT OF REACH OF CHILDREN.

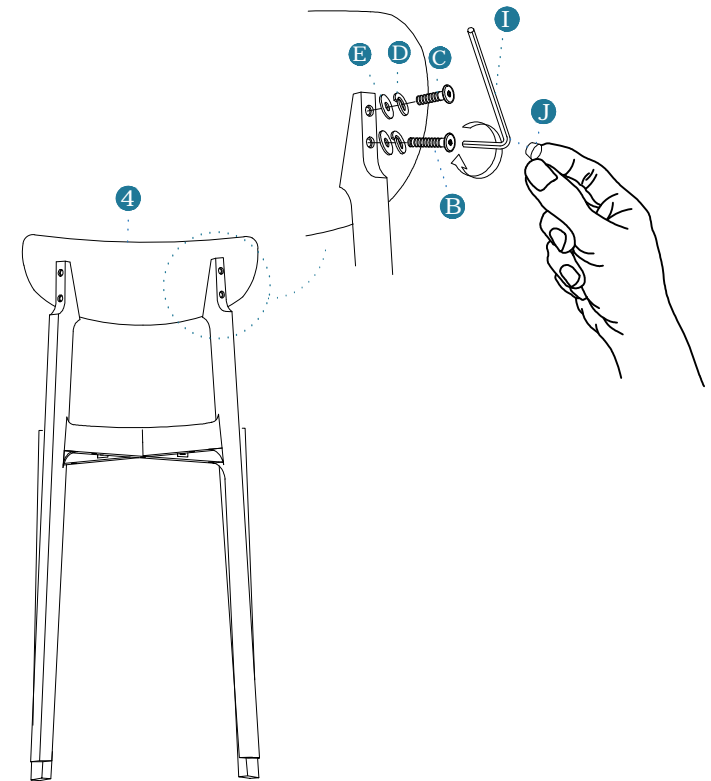
# Leon Barstool

## 1



Attach 2 x legs (1) together as shown and secure with 1 x screw (G) and 2 x dowel (H). Tighten with a screwdriver.

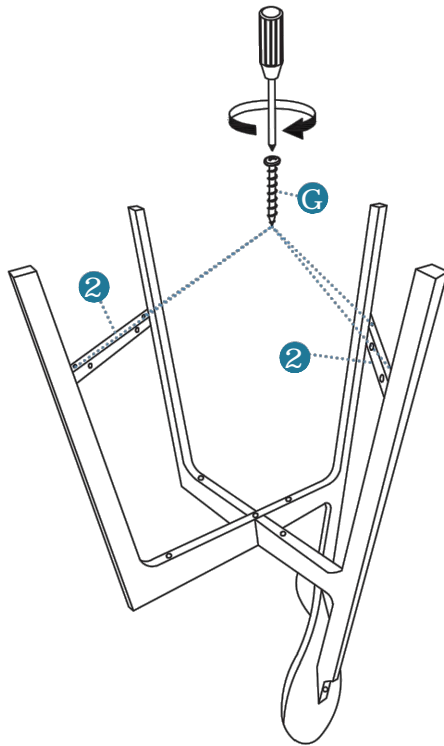
## 2



Attach 1 x backrest (4) to assembled frame and secure with 2 x screws (C) and 2 x screw (B), 4 x spring washers (D), 4 x washers (E). Please make sure you use screw (C) for the top hole and screw (B) for the bottom hole. Tighten with an Allen Key (I). Once tightened insert 4 x wood buttons (J) as shown

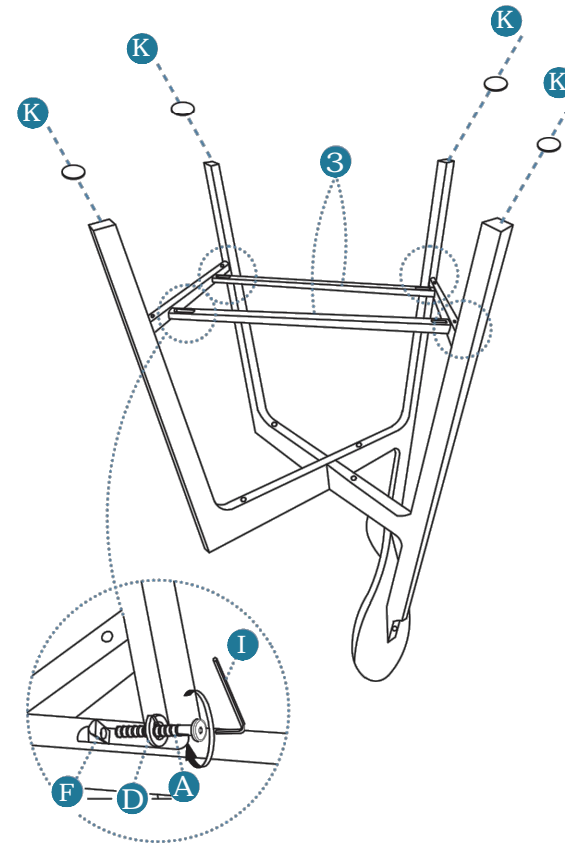
# Leon Barstool

## 3



Attach 2 x rails (2) to assembled frame as shown and secure with 4 x screws (G). Tighten with a screwdriver.

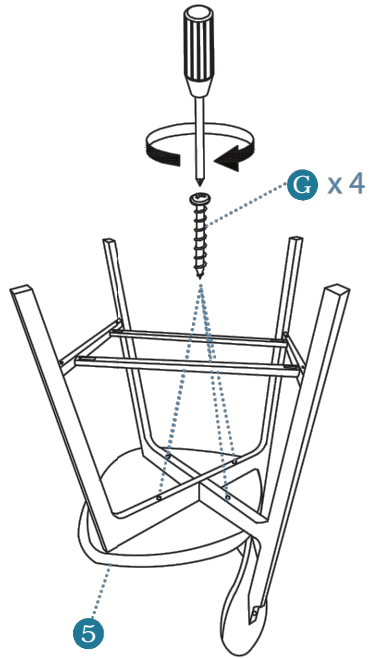
## 4



Attach 2 x support bars (3) to assembled frame, 4 x felt pads (K) as shown and secure with 4 x screw pins (F), 4 x spring washers (D) and 4 x screws (A). Tighten with an Allen Key (I).

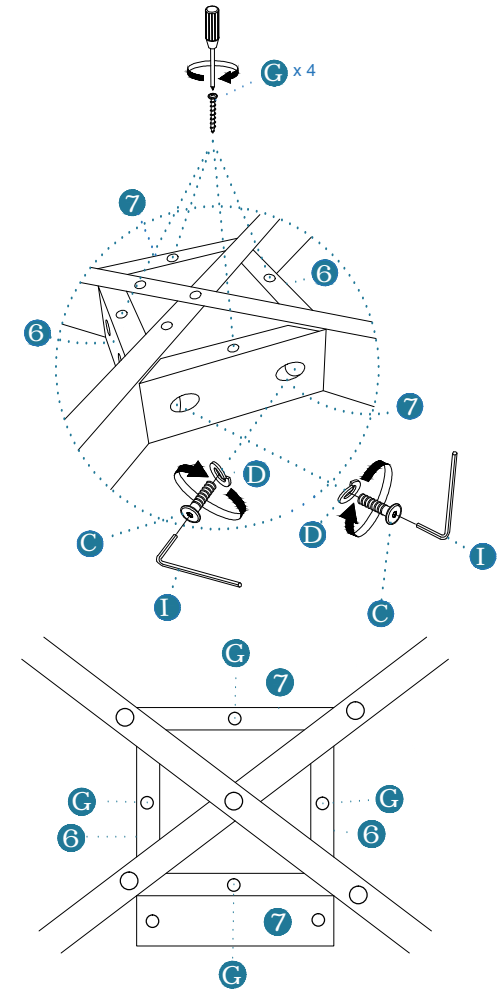
## Leon Barstool

5



Attach the legs to the seat base with 4 x screws (G) as shown. Tighten with a screwdriver.

6

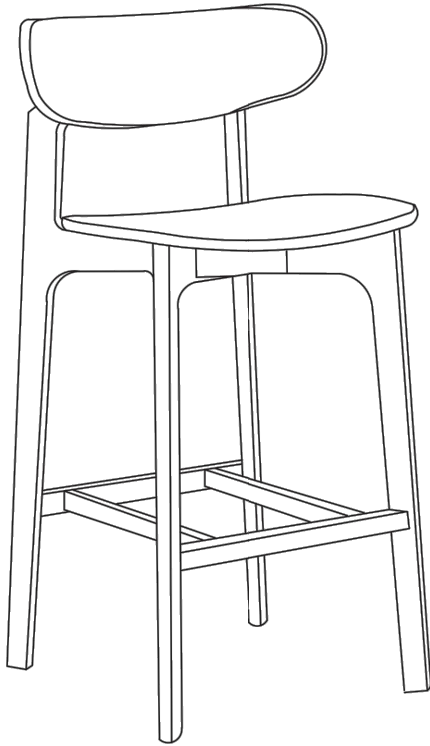


Each side has 2 x screws (C) and 2 x spring washer (D).

Attach 2 x corner block (6) & 2 x corner block (7) as shown and secure with 8 x screw (C) and 8 x Spring Washer (D). Tighten with an Allen key (I). Secure corner block (6) and (7) with 4 x screw (G). Tighten with a screwdriver.

# Leon Barstool

## 7



Once assembled lift furniture into place, do not drag. Ensure unit is balanced and steady before use. You're done, enjoy!